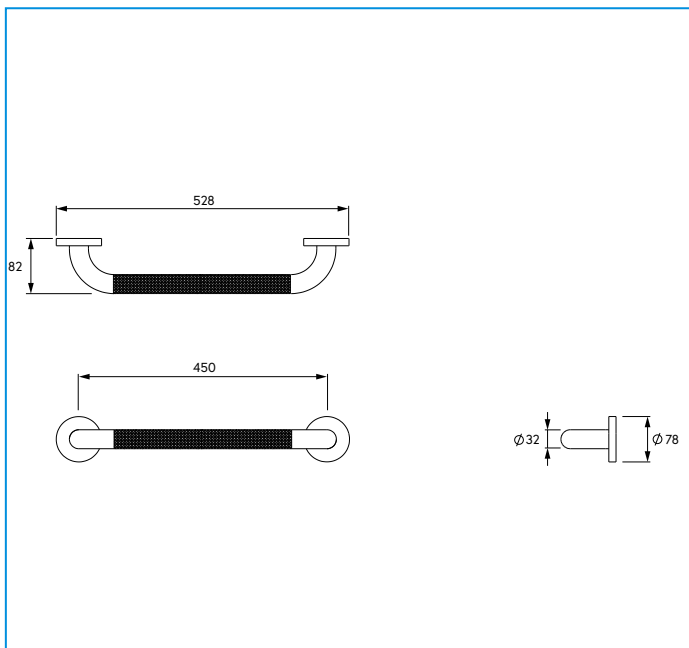


AP500641

450mm STAINLESS STEEL GRAB RAIL WITH ANTI-SLIP GRIP



GUARANTEE

Consumer Statutory Rights Apply

Tel: +44 (0) 1264 365881
Fax: +44 (0) 1264 356437
Email: info@croydex.co.uk
Web: www.croydex.com

Printed material, designs and packaging are protected by copyright and design right.

ILLUSTRATED

AP500641 Stainless Steel Grab Rail with Anti-Slip Grip

MATERIAL

Stainless Steel Construction.

FINISH

Chrome Plated

WEIGHT

N/A

PACKAGING

N/A

FREQUENTLY USED APPLICATIONS

Commercial Washrooms
Hotels
Domestic Dwellings
Care Homes

FEATURES

Suitable for use outdoors and all indoor locations.
Additional anti-slip grip feature provides confidence and stability.
34mm diameter for secure grip.
Concealed fixings.
Fixings not included.

PERFORMANCE STANDARDS

Meets performance requirements of service condition 3.
BS EN ISO 9221:2017 - Corrosion Resistant (NSS 96hr Salt Spray, Min. Grade 9).
BS EN 12182:2012 - Suitable for users up to 100kg when fitted to a solid wall. Tested to 150kg.

CARE AND MAINTENANCE

Clean surfaces with a damp cloth and wipe dry using a soft cloth.
Do not use chemical or abrasive cleaners as these may damage the surface finish.